

EVO 6

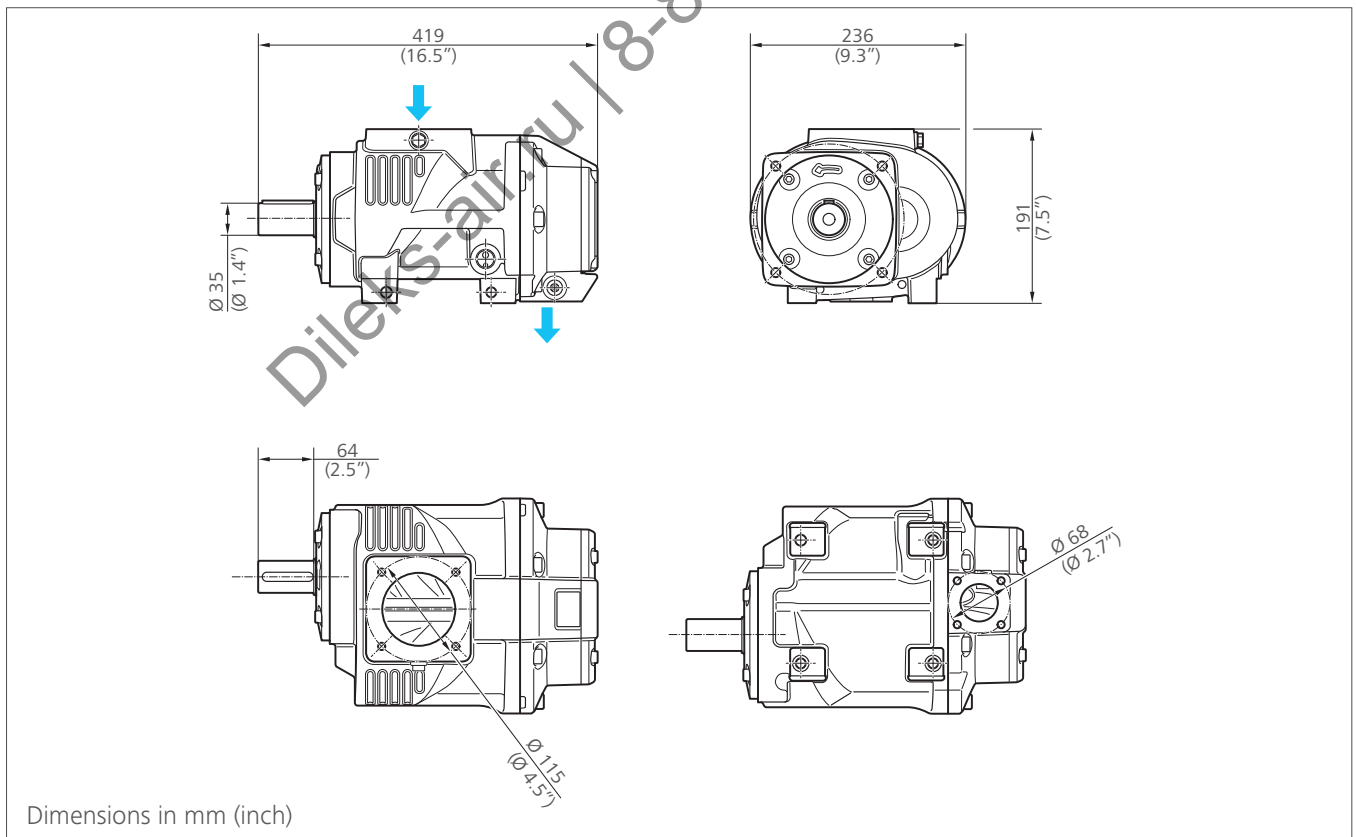
Air end



TECHNICAL SPECIFICATION

› Power range up to	37 kW / 50 HP
› Capacity up to	5.5 m ³ /min / 200 cfm
› Pressure up to	15 barg / 218 psig
› Weight approx.	45 kg / 99 lbs

››› Dimensioning



For detailed design, please order the installation drawing/3d model.

Technical modifications and errors excepted!
© 2013 ROTORCOMP®, Germany



Performance Data

